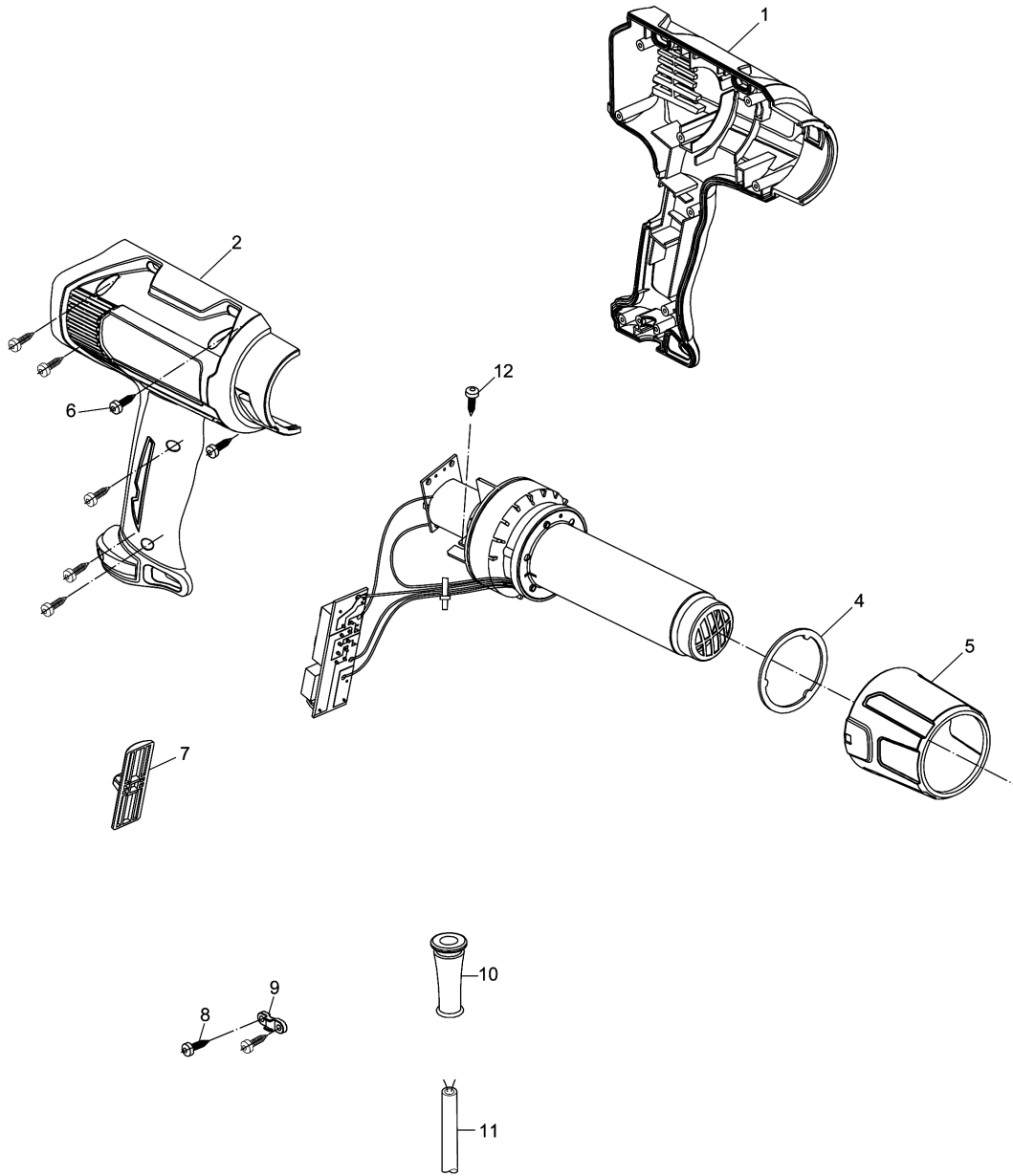


Model No.HG6030 HEAT GUN



Model No.HG6030 HEAT GUN

| Item | Parts No. | Description | I/C | Qty | New/Old | Opt. 1 | Opt. 2 | Note |
|------|------------|---------------------------|-----|-----|---------|--------|--------|------|
| 001 | PR00000001 | HOUSING LEFT | | 1 | | | | |
| 002 | PR00000003 | HOUSING RIGHT | | 1 | | | | |
| 004 | PR00000011 | SUPPORT RING | | 1 | | | | |
| 005 | PR00000010 | FRONT COVER COMPLETE | | 1 | | | | |
| 006 | PR00000004 | TAPPING SCREW | | 7 | | | | |
| 007 | PR00000026 | SWITCH COVER | | 1 | | | | |
| 008 | PR00000007 | TAPPING SCREW | | 2 | | | | |
| 009 | PR00000006 | CORD CLAMP | | 1 | | | | |
| 010 | PR00000008 | CORD GUARD | | 1 | | | | |
| 011 | PR00000044 | POWER SUPPLY CORD | | 1 | | | | |
| 012 | PR00000007 | TAPPING SCREW | | 1 | | | | |
| 013 | PR00000025 | HEATER MOTOER SWITCH ASSY | | 1 | | | | |
| A16 | PR00000060 | PLASTIC CASE | | 1 | | | | |
| C10 | PR00000127 | PLASTIC CASE LATCH | | 2 | | | | |

Please order the parts with part number.

Print Date 30/3/2020