



# P.I.T.<sup>®</sup>

Progressive Innovational Technology

**EN**

PRODUCT PASSPORT  
USER'S MANUAL

**RU**

ПАСПОРТ ИЗДЕЛИЯ  
ИНСТРУКЦИЯ ПОЛЬЗОВАТЕЛЯ

## Cordless Spray Gun

## Аккумуляторный Краскопульт



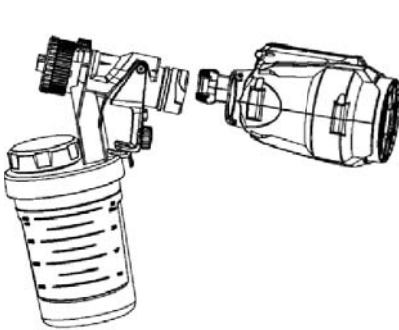
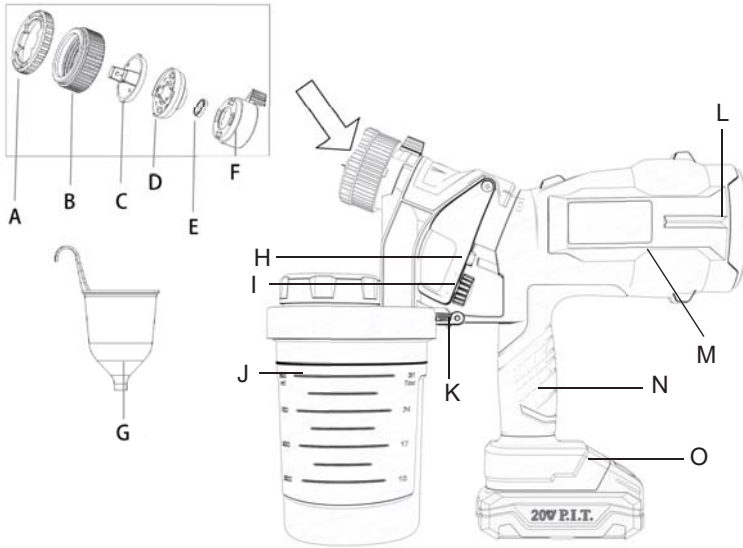
# EAC

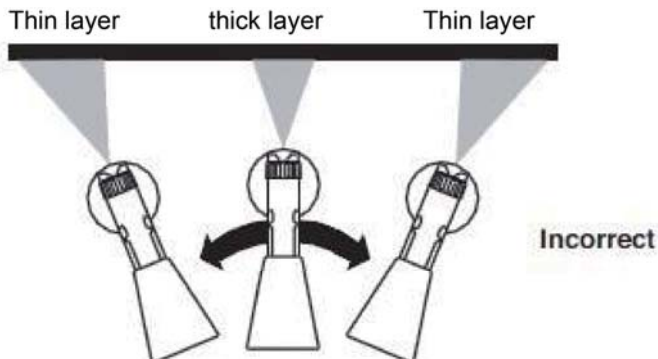
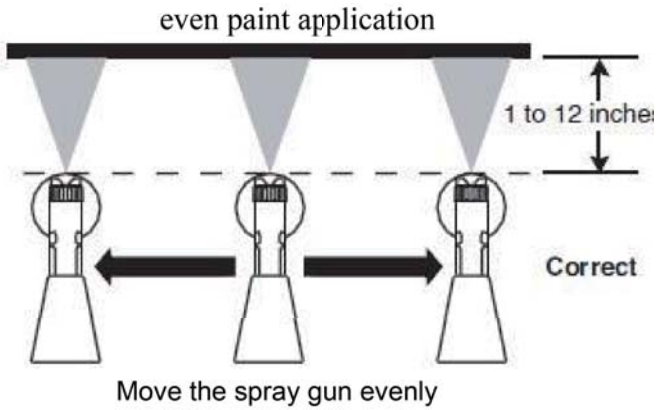
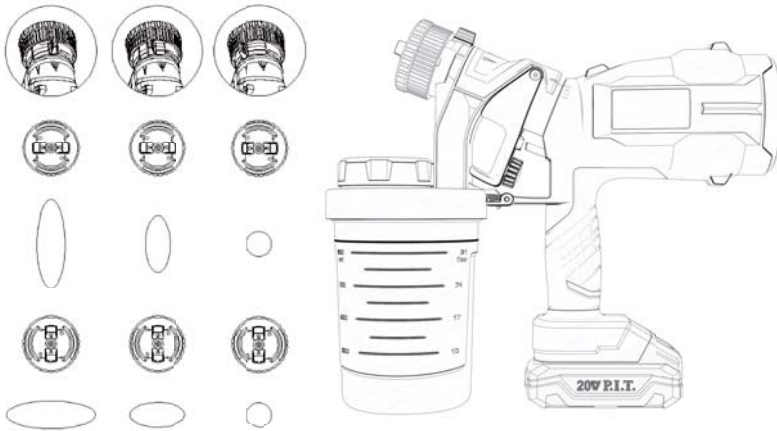
## PSG20H-900A

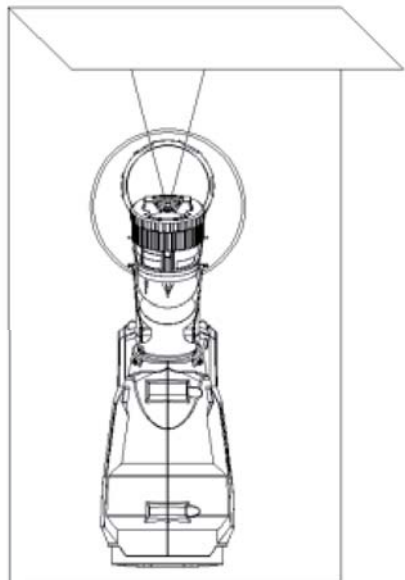
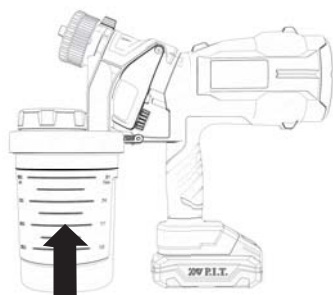
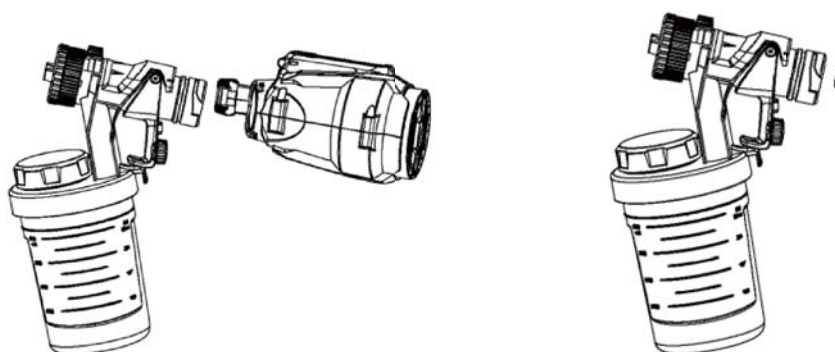
PROGRESSIVE INNOVATIONAL TECHNOLOGY

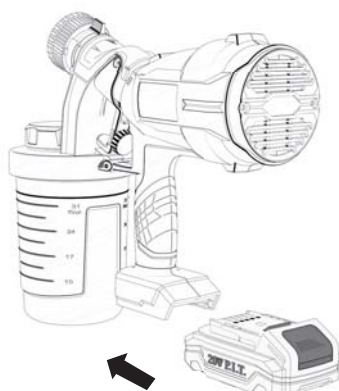
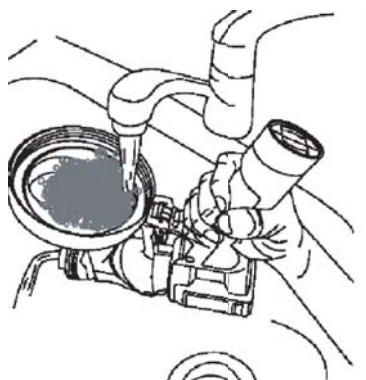
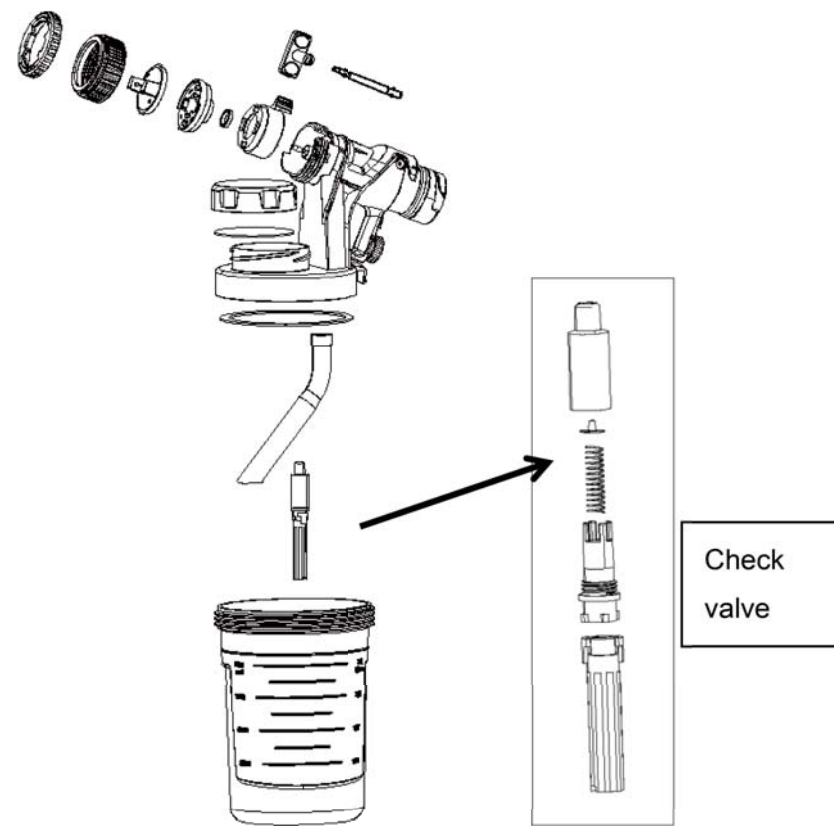
ПРОГРЕССИВНЫЕ ИННОВАЦИОННЫЕ ТЕХНОЛОГИИ











## English

### Safety Notes

#### General Power Tool Safety Warnings

**!** **WARNING** Read all safety warnings and all instructions.

Failure to follow the warnings and instructions may result in electric shock, fire and/or serious injury.

**Save all warnings and instructions for future reference.**

The term “power tool” in the warnings refers to your mainsoperated (corded) power tool or battery-operated (cordless) power tool.

#### Work area safety

- ▶ **Keep work area clean and well lit.** Cluttered or dark areas invite accidents.
- ▶ **Do not operate power tools in explosive atmospheres, such as in the presence of flammable liquids, gases or dust.** Power tools create sparks which may ignite the dust or fumes.
- ▶ **Keep children and bystanders away while operating a power tool.** Distractions can cause you to lose control.

#### Electrical safety

- ▶ **Power tool plugs must match the outlet. Never modify the plug in any way. Do not use any adapter plugs with earthed (grounded) power tools.** Unmodified plugs and matching outlets will reduce risk of electric shock.
- ▶ **Avoid body contact with earthed or grounded surfaces, such as pipes, radiators, ranges and refrigerators.** There is an increased risk of electric shock if your body is earthed or grounded.
- ▶ **Do not expose power tools to rain or wet conditions.** Water entering a power tool will increase the risk of electric shock.
- ▶ **Do not abuse the cord. Never use the cord for carrying, pulling or unplugging the power tool. Keep cord away from heat, oil, sharp edges and moving parts.** Damaged or entangled cords increase the risk of electric shock.

#### Personal safety

- ▶ **Stay alert, watch what you are doing and use common sense when operating a power tool. Do not use a power tool while you are tired or under the influence of drugs, alcohol or medication.** A moment of inattention while operating power tools may result in serious personal injury.
- ▶ **Use safety equipment. Always wear eye protection.** Safety equipment such

as dust mask, non-skid safety shoes, hard hat, or hearing protection used for appropriate conditions will reduce personal injuries.

- ▶ **Remove any adjusting key or wrench before turning the power tool on.** A wrench or a key left attached to a rotating part of the power tool may result in personal injury.
- ▶ **Do not overreach. Keep proper footing and balance at all times.** This enables better control of the power tool in unexpected situations.
- ▶ **Dress properly. Do not wear loose clothing or jewellery. Keep your hair, clothing and gloves away from moving parts.** Loose clothes, jewellery or long hair can be caught in moving parts.
- ▶ **If devices are provided for the connection of dust extraction and collection facilities, ensure these are connected and properly used.** Use of dust collection can reduce dust-related hazards.

#### Power tool use and care

- ▶ **Do not force the power tool. Use the correct power tool for your application.** The correct power tool will do the job better and safer at the rate for which it was designed.
- ▶ **Do not use the power tool if the switch does not turn it on and off.** Any power tool that cannot be controlled with the switch is dangerous and must be repaired.
- ▶ **Ensure the switch is in the off position before making any adjustments, changing accessories, or storing power tools.** Such preventive safety measures reduce the risk of starting the power tool accidentally.
- ▶ **Store idle power tools out of the reach of children and do not allow persons unfamiliar with the power tool or these instructions to operate the power tool.** Power tools are dangerous in the hands of untrained users.
- ▶ **Maintain power tools. Check for misalignment or binding of moving parts, breakage of parts and any other condition that may affect the power tool's operation. If damaged, have the power tool repaired before use.** Many accidents are caused by poorly maintained power tools.
- ▶ **Keep cutting tools sharp and clean.** Properly maintained cutting tools with sharp cutting edges are less likely to bind

and are easier to control.

- ▶ **Use the power tool, accessories and tool bits etc. in accordance with these instructions, taking into account the working conditions and the work to be performed.** Use of the power tool for operations different from those intended could result in a hazardous situation.

#### **Battery tool use and care**

- ▶ **Ensure the switch is in the off position before inserting battery pack.** Inserting the battery pack into power tools that have the switch on invites accidents.
- ▶ **Recharge only with the charger specified by the manufacturer.** A charger that is suitable for one type of battery pack may create a risk of fire when used with another battery pack.
- ▶ **Use power tools only with specifically designated battery packs.** Use of any other battery packs may create a risk of injury and fire.
- ▶ **When battery pack is not in use, keep it away from other metal objects, like paper clips, coins, keys, nails, screws or other small metal objects, that can make a connection from one terminal to another.** Shorting the battery terminals together may cause burns or a fire.
- ▶ **Under abusive conditions, liquid may be ejected from the battery; avoid contact. If contact accidentally occurs, flush with water. If liquid contacts eyes, additionally seek medical help.** Liquid ejected from the battery may cause irritation or burns.

#### **Service**

- ▶ **Have your power tool serviced by a qualified repair person using only identical replacement parts.** This will ensure that the safety of the power tool is maintained.

#### **Safety Warnings for Fine-spray Systems**

- ▶ **Keep area clean, well lit and free of paint or solvent containers, rags, and other flammable materials.** Spontaneous combustion may occur. Fire extinguisher equipment shall be present and working at all times.
- ▶ **Provide for good ventilation in the spraying area and for sufficient fresh air in the complete room.** Evaporating inflammable solvents create an explosive environment.

- ▶ **Do not spray and clean with materials that have a flash point of less than 55°C.** Use materials based on water, non-volatile hydrocarbons or similar materials. Volatile evaporating solvents create an explosive environment.
- ▶ **Do not spray any liquid of unknown hazard potential.** Unknown materials can create hazardous conditions.
- ▶ **Do not spray wallpaper stripper or boiling water. Spray only warm water (max .55°C) without chemical additives.**
- ▶ **Wear additional protective equipment such as appropriate protective gloves and protective masks or respirators when spraying or handling chemicals.** Wearing protective equipment for the appropriate conditions reduces the exposure to hazardous substances.
- ▶ **Be aware of possible hazards from the spray material. Observe the information on drums/tanks/tins as well as manufacturer information of the spray material, including the request to wear personal protective equipment.** The manufacturer's instructions are to be observed in order to reduce the risk of fire as well as injuries caused through toxins, carcinogens, etc.
- ▶ **Supervise children.** This will ensure that children do not play with the fine-spray system.
- ▶ **Do not open the battery.** Danger of short-circuiting.



**Protect the battery against heat, e. g., against continuous intense sunlight, fire, water, and moisture.** Danger of explosion.



- ▶ **In case of damage and improper use of the battery, vapours may be emitted. Ventilate the area and seek medical help in case of complaints.** The vapours can irritate the respiratory system.
- ▶ **Use the battery only in conjunction with your P.I.T. power tool.** This measure alone protects the battery against dangerous overload.
- ▶ **The battery can be damaged by pointed objects such as nails or screwdrivers or by force applied externally.** An internal short circuit can occur and the battery can burn, smoke, explode or overheat.
- ▶ **The battery is supplied partially charged. To ensure full battery capacity, completely charge the battery in the battery charger before using for the**

first time.

- ▶ **Read the operating instructions of the battery charger.**
- ▶ **Adjust the gear switch only when the machine is at a complete stop.**
- ▶ **Always push the gear selector and turn the operating mode selector switch through to the stop.** Otherwise, the machine can become damaged.

## Product Description and Specifications



**Read all safety warnings and all instructions.** Failure to follow the warnings and instructions may result in electric shock, fire and/or serious injury.

### Intended Use

The power tool is only intended for atomising solvent-based and water-dilutable lacquers, glazes, primers, clear lacquers, wood stains, oils and water. The power tool can also be used to spray more highly diluted emulsion and latex paints. The power tool is not suitable for use with caustic solutions, acidic coating materials, spray material containing grains or solids, and spatter and drip resistant materials.

### Technical Data

Model	PSG20H-900A
Voltage	DC 20 V
Maximum flow	700 ml/min
Greatest pressure	0.1-0.2 bar
Maximum viscosity	60 DIN-s
Cup capacity	900 ml
Weight	2 Kg
Compatible battery (availability varies by package)	PH20-2.0 (2 Ah) PH20-3.0 (3 Ah) PH20-4.0 (4 Ah) PH20-5.0 (5 Ah) PH20-6.0 (6 Ah)
Compatible charger (availability varies by package)	PH20-2.4 A PH20-3.0 A

### Note

Since the product is constantly being improved, P.I.T. reserves the right to make changes to the specifications and product specifications specified here without prior notice.

### Product Features

The numbering of the components shown refers to the representation of the power tool on the graphic pages.

- A Adjusting knob
- B Nut
- C Nozzle guazrd
- D Nozzle
- E Seal ring
- F Air volume regulator
- G Viscosity cup
- H Trigger
- I Flow regulator
- J Tank
- K Lock of tank
- L Air filter
- M Fan assembly
- N Handle
- O Battery pack

## Assembly

### Assembly of spray gun

- ▶ insert the fan assembly into spray part from unlock position to the end, then rotate fan assembly to lock position.
- ▶ lock the tank to lock position. As shown below

### Spraying material preparation

Before spraying, the spray material is diluted with the solvent specified by the material manufacturer. Do not use spray material that exceeds the specified maximum viscosity.

**Note:** Do not use flammable spraying liquids!

### Follow the below instructions:

- ▶ Thoroughly mix the spray material before checking the viscosity.
- ▶ Completely immerse the viscosity cup into the spray material except for the hook part.
- ▶ Lift the viscosity cup hook and record the time: in seconds, until the liquid in the viscous cup has flowed. This dripping times are recommended by materials' manufacturers. The spray materials need to be filtered with a wire mesh before spraying to prevent the large particle contaminants to clogging the nozzle.

### Do not spray flammable liquids

### Filling the spraying material

- ▶ Remove the tank from appliance.
- ▶ Pour the diluted filtered spraying material into the tank. The liquid level does not exceed the bottleneck of the tank.
- ▶ Carefully screw back the liquid-filled tank onto the gun and tighten.

## Spraying

- ▶ By turning the nozzle adjusting nut in various positions, the gun offers three types of spraying methods: round, horizontal flat round, vertical flat round. Users can adjust



accordingly to achieve the ideal spraying results.

- ▶ Users can adjust the spraying size and shape by adjusting the air flow regulator. As shown below.

**Note:** When adjusting the trigger must be released to avoid danger!

Never direct the nozzle to people and animals!

### Adjusting flow rate

The flow rate of spray can be adjusted by turning the knob behind the trigger. The larger the discharge opening, the larger the spray flow rate.

### Spraying

The HVLP spray gun (Low Pressure and High Flow) is a brand new spray system for users. Before first spraying, the user must do some exercises on the discarded wood or cardboard to conform.

Pretreat the surface to be sprayed. The splash result depends on how smooth and clean the surface is before spraying. Therefore, pretreat the surface carefully and keep it dust-free. Cover non-spraying areas.

### Correct spraying method

- ▶ the spray gun be perpendicular to surface when spraying. Users can choose a distance of nozzle to surface 5-30cm depending on the size of the spray pattern. In general, the larger the distance, the larger the spray pattern.
- ▶ Move the spray gun evenly parallel along the surface. A uniform spray gun guidance results in a uniform surface quality.
- ▶ Generally, spray twice, the first spraying may be slightly thinner, and the second spraying should be slightly thicker.
- ▶ At the end of spraying, hold the spray gun near the surface to avoid overspray.
- ▶ pull the trigger while spraying, and release the trigger when spraying is finished. When spraying the next layer, align the nozzle with the bottom edge of the previous sprayed and allow the edges to overlap slightly for better spray.

**Do not move the spray gun unevenly as shown above.**

### Cleaning

#### Cleaning the spray gun

**Note:** Do not immerse the gun in the detergent!

- ▶ Unlock the fan assembly and remove it from the gun assembly. Align the release latch and pull out the gun. Press the trigger so that the spray material remaining in

the gun flows into the container.

- ▶ unlock and remove the tank, empty the residual spraying material in the tank.
- ▶ For cleaning, pour a little cleaning solution into the tank. After washing, the residual liquid should be properly disposed to avoid environmental pollution.
- ▶ refill new cleaning solution.
- ▶ Screw back the tank with the Cleaning solution onto the spray gun.
- ▶ Spray cleaning solution for a few seconds (2-5s) in safety area, spray for a few seconds again. Then remove the tank and press the trigger.
- ▶ Wipe and clean the outside of the tank.
- ▶ remove the adjusting knob, nut, Nozzle guard, nozzle, etc.
- ▶ Clean the tank, nozzle guard, nut, nozzle, air flow regulator, gun assembly, etc. with a brush and cleaning solution.

**Note:** Never use sharp metal needle or similar to clean the nozzles! Never use silicone-containing solvent or lubricant to clean the nozzles! Do not miss the nozzle seal.

- ▶ Install the removed parts.
- ▶ When battery pack is not in use for long time, it should be stored it separately.

### Battery Pack

#### Charging of battery pack

- ▶ Recharge only with the charger specified by the manufacturer. A charger that is suitable for one type of battery pack may create a risk of fire when used with another battery pack.
- ▶ **Note:** battery pack is not fully charged when shipped from factory. Before using the appliance for the first time, you must fully charge the battery pack to ensure the performance of the battery pack. The battery pack must be removed from the spray gun during charging.
- ▶ The lithium-ion battery pack can be charged at any time without shortening the life of the battery pack. If charging suddenly stops, the battery pack will not be damaged.
- ▶ This battery pack is equipped with "Electric Cell Protection" (ECP) to avoid over-discharging.
- ▶ When the battery pack is fully discharged, the protection circuit with turn off the spray gun.
- ▶ Stop pressing the trigger after the spray gun is automatically turned off. Otherwise, the battery pack may be damaged.
- ▶ The battery pack is equipped with the NTC

temperature monitor. Charging is only possible when the temperature is between 0 and 45°.

### Follow the disposal instructions.

Remove the battery as shown below. To remove the battery, press the release button and pull the battery backward out of the spray gun. Do not use excessive force during this operation.

### Transportation

- ▶ Lithium-ion battery packs supplied with the appliance must be subject to the Dangerous Goods regulations. Users can transport the battery pack without additional protective packaging.
- ▶ However, special packaging and markings are necessary for handing over to third parties (eg by air freight or freight forwarding). So that you must ask the dangerous goods expert about the delivery of dangerous goods.
- ▶ Make sure that the battery pack is not damaged before transportation. Guard the exposed terminals and package the battery pack to avoid shake in the package box.
- ▶ If necessary, consider the relevant national regulations

### Maintenance and Service

#### Maintenance and Cleaning

After using for a period of time, you should check if the filter is dirty or not. If it is too dirty, you need to replace the filter with the following steps.

- ▶ Remove the battery pack, and the filter guard by screwdriver.
- ▶ Remove the dirty filter and replace it with a new one.
- ▶ reinstall the filter guard.

Never operate the spray gun without a filter! The dirt will be sucked into the appliance and cause a damage.

- ▶ **Before any work on the machine itself (e. g. maintenance, tool change, etc.) as well as during transport and storage, remove the battery from the power tool.** There is danger of injury when unintentionally actuating the On/Off switch.
- ▶ **For safe and proper working, always keep the machine and ventilation slots clean.**

When the battery is no longer operative, please refer to an authorized after-sales service agent for P.I.T. power tools.

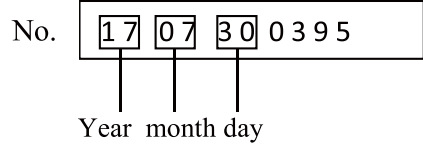
### Dispose of waste



Damaged power tools, batteries, accessories and waste packaging materials must be recycled and reused in an environmentally friendly manner.

Do not throw power tools and accumulators / batteries into general household waste!

### Product serial number interpretation serial number



The first and second digits of the product serial number from left to right

Year of production, the third and fourth digits indicate the month of production, the

The fifth and sixth digits indicate the production day.

### TERMS OF WARRANTY SERVICE

1. This Warranty Certificate is the only document that confirms your right to free warranty service. Without presenting this certificate, no claims are accepted. In case of loss or damage, the warranty certificate is not restored.

2. The warranty period for the electric machine is 12 months from the date of sale, during the warranty period the service department eliminates manufacturing defects and replaces parts that have failed due to the fault of the manufacturer free of charge. In the warranty repair, an equivalent operable product is not provided. Replaceable parts become property of service providers.

P.I.T. is not liable for any damage that may be caused by operation of the electric machine.

3. Only clean tool accompanied with the following duly executed documents: this Warranty Certificate, Warranty Card, with all fields filled out, bearing the stamp of the trade organization and the signature of the buyer, shall be accepted for warranty repair.

4. Warranty repair is not performed in the following cases:

- in the absence of a Warranty Certificate and a Warranty Card or their incorrect execution;
- with failure of both a rotor and a stator of the electric engine, charring or melting of primary winding of the welding machine transformer, charging or starting-charging device, with internal parts melting, burn down of electronic

circuit boards;

- if a Warranty Certificate or a Warranty Card does not correspond to this electric machine or to the form established by the supplier;

- upon expiration of the warranty period;

- at attempts of opening or repair of the electric machine outside the warranty workshop; making constructive changes and lubrication of the tool during the warranty period, as evidenced, for example, by the creases on the spline parts of the fasteners of non-rotational parts.

- when using electric tools for production or other purposes connected with making a profit, as well as in case of malfunctions related to instability of the power network parameters exceeding the norms established by GOST;

- in the events of improper operation (use the electric machine for other than intended purposes, attachments to the electric machine of attachments, accessories, etc. not provided by the manufacturer);

- with mechanical damage to the case, power cord and in case of damages caused by aggressive agents and high and low temperatures, ingress of foreign objects in the ventilation grids of the electric machine, as well as in case of damage resulting from improper storage (corrosion of metal parts);

- natural wear and tear on the parts of the electric machine, as a result of long-term operation (determined on the basis of the signs of full or partial depletion of the specified mean life, great contamination, presence of rust outside and inside the electric machine, waste lubricant in the gearbox);

- use of the tool the purposes for other than specified in the operating instructions.

- mechanical damages to the tool;

- in the event of damages due to non-observance of the operating conditions specified in the instruction (see chapter "Safety Precautions" of the Manual).

- damage to the product due to non-observance of the rules of storage and transportation.

Preventive maintenance of electric machines (cleaning, washing, lubrication, replacement of anthers, piston and sealing rings) during the warranty period is a paid service.

The service life of the product is determined by the manufacturer and is 2 years from the date of manufacture.

The owner is notified of any possible violations of the above terms of warranty service upon completion of diagnostics in the service

center.

The owner of the tool entrusts the diagnostic procedure to be conducted in the service center in his absence.

Do not operate the electric machine when there are signs of excessive heat, sparking, or noise in the gearbox. To determine the cause of the malfunction, the buyer should contact the warranty service center.

Malfunctions caused by late replacement of carbon brushes of the engine are eliminated at the expense of the buyer.

5. The warranty does not cover:

- replacement accessories (accessories and components), for example: batteries, discs, blades, drill bits, borers, chucks, chains, sprockets, collet clamps, guide rails, tension and fastening elements, trimming device heads, base of grinding and belt sander machines, hexagonal heads, etc.,

- fast wearing parts, for example: carbon brushes, drive belts, seals, protective covers, guiding rollers, guides, rubber seals, bearings, toothed belts and wheels, shanks, brake belts, starter ratchets and ropes, piston rings, etc. Their replacement during the warranty period is a paid service;

- power cords, in case of damage to the insulation, power cords are subject to mandatory replacement without the consent of the owner (paid service);

- tool case.

**Русский**

Общие указания по технике безопасности для электроинструментов

**!** **ПРЕДУПРЕЖДЕНИЕ** Прочтите все указания и инструкции по технике безопасности. Несоблюдение указаний и инструкций по технике безопасности может стать причиной поражения электрическим током, пожара и тяжелых травм.

**Сохраняйте эти инструкции и указания для будущего использования.**

Использованное в настоящих инструкциях и указаниях понятие «электроинструмент» распространяется на электроинструмент с питанием от сети (с сетевым шнуром) и на аккумуляторный электроинструмент (без сетевого шнура).

**Безопасность рабочего места**

- ▶ **Содержите рабочее место в чистоте и хорошо освещенным.** Беспорядок или неосвещенные участки рабочего места могут привести к несчастным случаям.
- ▶ **Не работайте с этим электроинструментом во взрывоопасном помещении, в котором находятся горючие жидкости, воспламеняющиеся газы или пыль.** Электроинструменты искрят, что может привести к воспламенению пыли или паров.
- ▶ **Во время работы с электроинструментом не допускайте близко к Вашему рабочему месту детей и посторонних лиц.** Отвлечшись, Вы можете потерять контроль над электроинструментом.

**Электробезопасность**

- ▶ **Штепсельная вилка электроинструмента должна подходить к штепсельной розетке.** Ни в коем случае не изменяйте штепсельную вилку. Не применяйте переходные штекеры для электроинструментов с защитным заземлением. Неизмененные штепсельные вилки и подходящие штепсельные розетки снижают риск поражения электротоком.
- ▶ **Предотвращайте телесный контакт с заземленными поверхностями, как то: с трубами, элементами отопления, кухонными плитами и холодильниками.** При заземлении Вашего тела повышается риск поражения электротоком.
- ▶ **Защищайте электроинструмент от дождя и сырости.** Проникновение воды в электроинструмент повышает риск

поражения электротоком.

- ▶ **Не разрешается использовать шнур не по назначению, например, для транспортировки или подвески электроинструмента, или для вытягивания вилки из штепсельной розетки.** Защищайте шнур от воздействия высоких температур, масла, острых кромок или подвижных частей электроинструмента. Поврежденный или спутанный шнур повышает риск поражения электротоком.
- ▶ **При работе с электроинструментом под открытым небом применяйте пригодные для этого кабели удлинители.** Применение пригодного для работы под открытым небом кабеля-удлинителя снижает риск поражения электротоком.
- ▶ **Если невозможно избежать применения электроинструмента в сыром помещении, подключайте электроинструмент через устройство защитного отключения.** Применение устройства защитного отключения снижает риск электрического поражения.

**Безопасность людей**

- ▶ **Будьте внимательны, следите за тем, что делаете, и продуманно начинайте работу с электроинструментом.** Не пользуйтесь электроинструментом в усталом состоянии или под воздействием наркотиков, алкоголя или лекарственных средств. Один момент невнимательности при работе с электроинструментом может привести к серьезным травмам.
- ▶ **Применяйте средства индивидуальной защиты.** Всегда носите защитные очки. Использование средств индивидуальной защиты, как то: защитной маски, обуви на нескользящей подошве, защитного шлема или средств защиты органов слуха, в зависимости от вида работы с электроинструментом снижает риск получения травм.
- ▶ **Предотвращайте непреднамеренное включение электроинструмента.** Перед подключением электроинструмента к электропитанию и/или к аккумулятору убедитесь в выключенном состоянии электроинструмента. Удержание пальца на выключателе при транспортировке электроинструмента и подключение к сети питания включенного электроинструмента чревато несчаст-

ными случаями.

- ▶ **Убирайте установочный инструмент или гаечные ключи до включения электроинструмента.** Инструмент или ключ, находящийся во вращающейся части электроинструмента, может привести к травмам.
- ▶ **Не принимайте неестественное положение корпуса тела. Всегда занимайте устойчивое положение и сохраняйте равновесие.** Благодаря этому Вы можете лучше контролировать электроинструмент в неожиданных ситуациях.
- ▶ **Носите подходящую рабочую одежду. Не носите широкую одежду и украшения. Держите волосы, одежду и рукавицы вдали от движущихся частей.** Широкая одежда, украшения или длинные волосы могут быть затянуты вращающимися частями.
- ▶ **При наличии возможности установки пылеотсасывающих и пылесборных устройств проверяйте их присоединение и правильное использование.** Применение пылесоса может снизить опасность, создаваемую пылью.
- ▶ **ВНИМАНИЕ! В случае возникновения перебоа в работе электроинструмента вследствие полного или частичного прекращения энергоснабжения или повреждения цепи управления энергоснабжением установите выключатель в положение Выкл., убедившись, что он не заблокирован (при его наличии). Отключите сетевую вилку от розетки или отсоедините съёмный аккумулятор.** Этим предотвращается неконтролируемый повторный запуск.
- ▶ **Квалифицированный персонал в соответствии с настоящим руководством подразумевает лиц, которые знакомы с регулировкой, монтажом, вводом эксплуатацию обслуживанием электроинструмента.**
- ▶ **К работе с электроинструментом допускаются лица не моложе 18 лет, изучившие техническое описание, инструкции по эксплуатации и правила безопасности.**
- ▶ **Изделие не предназначено для использования лицами (включая детей) с пониженными физическими, чувственными или умственными способностями или при отсутствии у них жизненного опыта**

или знаний, если они не находятся под контролем или не проинструктированы об использовании электроинструмента лицом, ответственным за их безопасность.

#### **Применение электроинструмента и обращение с ним**

- ▶ **Не перегружайте электроинструмент. Используйте для Вашей работы предназначенный для этого электроинструмент.** С подходящим электроинструментом Вы работаете лучше и надежнее в указанном диапазоне мощности.
- ▶ **Не работайте с электроинструментом при неисправном выключателе.** Электроинструмент, который не поддается включению или выключению, опасен и должен быть отремонтирован.
- ▶ **До начала наладки электроинструмента, перед заменой принадлежностей и прекращением работы отключайте штепсельную вилку от розетки сети и/или выньте аккумулятор.** Эта мера предосторожности предотвращает непреднамеренное включение электроинструмента.
- ▶ **Храните электроинструменты в недоступном для детей месте. Не разрешайте пользоваться электроинструментом лицам, которые не знакомы с ним или не читали настоящих инструкций.** Электроинструменты опасны в руках неопытных лиц.
- ▶ **Тщательно ухаживайте за электроинструментом. Проверяйте безупречную функцию и ход движущихся частей электроинструмента, отсутствие поломок или повреждений, отрицательно влияющих на функцию электроинструмента. Поврежденные части должны быть отремонтированы до использования электроинструмента.** Плохое обслуживание электроинструментов является причиной большого числа несчастных случаев.
- ▶ **Держите режущий инструмент в заточенном и чистом состоянии.** Заботливо ухоженные режущие инструменты с острыми режущими кромками режут легче.
- ▶ **Применяйте электроинструмент, принадлежности, рабочие инструменты и т. п. в соответствии с настоящими инструкциями. Учитывайте при этом рабочие условия и выполняемую**

работу. Использование электроинструментов для непредусмотренных работ может привести к опасным ситуациям.

**Применение и обслуживание аккумулятора и аккумулятора инструмента**

- ▶ **Заряжайте аккумуляторы только в зарядных устройствах, рекомендуемых изготовителем.** Зарядное устройство, предусмотренное для определенного вида аккумуляторов, может привести к пожарной опасности при использовании его с другими аккумуляторами.
- ▶ **Применяйте в электроинструментах только предусмотренные для этого аккумуляторы.** Использование других аккумуляторов может привести к травмам и пожарной опасности.
- ▶ **Защищайте неиспользуемый аккумулятор от канцелярских скрепок, монет, ключей, гвоздей, винтов и других маленьких металлических предметов, которые могут замкнуть полюса.** Короткое замыкание полюсов аккумулятора может привести к ожогам или пожару.
- ▶ **При неправильном использовании из аккумулятора может потечь жидкость.** Избегайте соприкосновения с ней. При случайном контакте промойте соответствующее место водой. Если эта жидкость попадет в глаза, то дополнительно обратитесь за помощью к врачу. Вытекающая аккумуляторная жидкость может привести к раздражению кожи или к ожогам.

**Сервис**

- ▶ **Ремонт Вашего электроинструмента поручайте только квалифицированному персоналу и только с применением оригинальных запасных частей.** Этим обеспечивается безопасность электроинструмента.

**Указания по безопасности для систем тонкого распыления**

- ▶ **Содержите Ваш рабочий участок в чистоте и хорошо освещенным.** Убирайте емкости для краски или растворителя, ветошь и все горючие материалы. Возможная опасность самовоспламенения. Постоянно держите в готовности работоспособные огнетушители и устройства пожаротушения.
- ▶ **Обеспечивайте хорошую вентиляцию на участке распыления и достаточную подачу свежего воздуха во всем**

**помещении.** Испарения горючих растворителей создают взрывоопасную атмосферу.

- ▶ **Не разбрызгивайте вещества с точкой воспламенения ниже 55°C.** Используйте вещества на основе воды, труднотлетучих углеводородов и т.п. Легколетучие испаряющиеся растворители создают взрывоопасную среду.
- ▶ **Не распыляйте в пределах источников воспламенения, как то, статических электроискр, открытого пламени, иницирующего пламени, горячих предметов, двигателей, сигарет и искр от сочленения и расчленения электрокабелей или задействования выключателей.** Такие источники искр могут привести к воспламенению атмосферы.
- ▶ **Не распыляйте материалы, опасность которых неизвестна.** Незнакомые материалы могут создать опасные условия.
- ▶ **Не разбрызгивайте средство для снятия обоев и кипящую воду.** Разбрызгивайте только теплую воду (макс.55°C) без химических добавок.
- ▶ **Применяйте дополнительные, индивидуальные, защитные средства, как то, соответствующие защитные перчатки и защитные или дыхательные фильтрмаски при распылении химических веществ и работе с ними.** Применение защитных средств для соответствующих условий снижает возможность воздействия опасных веществ.
- ▶ **Учитывайте возможные опасности, исходящие от распыляемого вещества.** Учитывайте маркировку на емкостях или информации изготовителя распыляемого вещества, включая требование применения индивидуальных защитных средств. Выполняйте указания изготовителя, чтобы снизить риск получения травм, вызванных пожаром, ядами, канцерогенами и т.п.



**Защищайте электроинструмент**

**от высоких температур, напр., от длительного нагревания на солнце, от огня, воды и влаги.** Существует опасность взрыва.

- ▶ **Смотрите за детьми. Дети не должны**

играть с системой тонкого распыления.

## Описание продукта и услуг



Прочтите все указания и инструкции по технике безопасности.

Упущения в отношении указаний и инструкций по технике безопасности могут стать причиной поражения электрическим током, пожара и тяжелых травм.

## Применение по назначению

Электроинструмент предназначен только лишь для разбрызгивания содержащих растворители и разбавляемых водой эмалевых красок, глазури, грунтовок, прозрачных лаков, морилок, масел и воды. Электроинструмент может также использоваться для разбрызгивания сильно разбавленных дисперсионных и лаковых красок.

Электроинструмент не предназначен для работы со щелочами, кислотосодержащими материалами для покрытия, зернистыми и содержащими твердые частицы разбрызгиваемыми средствами, а также средствами, содержащими присадки для уменьшения брызг и каплеобразования.

## Технические характеристики

Model	PSG20H-900A
Напряжение	20 В
Максимальный поток	700 мл/мин
Давление	0.1-0.2 бар
Максимальная вязкость	60 DIN-s
Емкость бака	900 мл
ВЕС	2 Кг
Совместимая аккумуляторная батарея (наличие зависит от комплекта поставки)	PH20-2.0 (2 Ач) PH20-3.0 (3 Ач) PH20-4.0 (4 Ач) PH20-5.0 (5 Ач) PH20-6.0 (6 Ач)
Совместимое зарядное устройство (наличие зависит от комплекта поставки)	PH20-2.4 А PH20-3.0 А

### Примечание

Так как изделие постоянно совершенствуется, P.I.T. оставляет за собой право на внесение изменений в указанные здесь технические характеристики и комплектацию изделия без предварительного уведомления.

домления.

## Особенности продукта

Нумерация показанных компонентов относится к изображению электроинструмента на графических страницах.

- A** Кольцо регулировки
- B** Гайка
- C** Защита сопла
- D** Сопло
- E** Герметизирующее кольцо
- F** Регулятор объема воздуха
- G** Чаша-тестер вязкости
- H** Выключатель
- I** Регулятор потока
- J** Бак
- K** Фиксатор бака
- L** Воздушный фильтр
- M** Вентилятор
- N** Рукоять
- O** Аккумуляторный блок

## Устройство краскопульт

### Сборка краскопульт

- ▶ Вставьте блок вентилятора в распылительную часть из положения разблокировки до конца, затем поверните блок вентилятора в положение блокировки.
- ▶ Зафиксируйте бак в положении блокировки как показано ниже

### Подготовка материала для распыления

Перед распылением распыляемый материал разбавляется указанным изготовителем растворителем. Не используйте распыляемый материал, вязкость которого превышает указанную максимальную.

**Примечание: Не используйте легковоспламеняющиеся распылительные жидкости!**

Следуйте указанным ниже инструкциям:

- ▶ Перед проверкой вязкости тщательно перемешайте распыляемый материал.
- ▶ Полностью погрузите чашу-тестер вязкости в распыляемый материал, за исключением крюковой части.
- ▶ Поднимите чашу, удерживая за крючок. Засеките время в секундах, пока краска выливается из чаши. Перед окрашиванием краска должна быть отфильтрована проволочной сеткой, чтобы предотвратить засорение насадки крупными частицами.

**Не распыляйте легковоспламеняющиеся жидкости**

### Заливка распыляемого материала

- ▶ Снимите резервуар с инструмента.

- ▶ Залейте разбавленный отфильтрованный материал в бак. Уровень жидкости не должен превышать узкое место бака.
- ▶ Осторожно прикрутите бак с жидкостью к пистолету и затяните.

## Распыление

- ▶ У данной модели три вида распыления: круглое, горизонтальное плоское, вертикальное плоское. Режимы изменяются при повороте регулировочной гайки сопла.
- ▶ Пользователи могут регулировать размер и форму распыления с помощью регулятора воздушного потока. Как показано ниже.

**Примечание:** Во избежание опасности при регулировке следует отпустить выключатель! Никогда не направляйте насадку на людей и животных!

### Регулировка расхода воздуха

Расход опрыскивателя изменяется поворотом регулятора за выключателем. Чем больше выходное отверстие, тем больше расход опрыскивания.

### Распыление

Пистолет-распылитель HVLP (Low Pressure и High Flow) - это система распыления нового поколения. Перед первым использованием советуем протестировать качество нанесения.

### Подготовка поверхности для распыления

Результат разбрызгивания зависит от того, насколько гладкая и чистая поверхность распылением. Поэтому предварительно тщательно обработайте поверхность и не допускайте попадания на нее пыли. Накройте пленкой участки, которые не будут окрашены.

### Правильный способ распыления

- ▶ При распылении пистолет должен располагаться перпендикулярно поверхности. Оптимальное расстояние от сопла до поверхности 5-30 см, в зависимости от размера распыления. Чем больше расстояние, тем больше площадь распыления.
- ▶ Перемещайте распылитель параллельно поверхности. Равномерное ведение пистолета-распылителя обеспечивает более качественное покрытие.
- ▶ Как правило распыление производится дважды. Первое распыление может быть немного тоньше, а второе - толще.
- ▶ В конце работы держите пистолет рядом с поверхностью, чтобы избежать

чрезмерного распыления.

- ▶ Нажмите на курок во время опрыскивания и отпустите по окончании опрыскивания. При окраске следующего слоя выровняйте насадку с нижним краем предыдущего распыления и дайте краям слегка подсохнуть для лучшего распыления.

**Не переключайте пистолет неравномерно, как показано выше.**

## Чистка

### Чистка краскопульты

- ▶ **Внимание: Не погружайте пистолет в моющее средство!** Разблокируйте блок вентилятора и снимите его с блока пистолета. Выровняйте защелку и вытащите пистолет. Нажмите на выключатель, чтобы распыляемый материал, оставшийся в пистолете, попал в контейнер.
- ▶ Разблокируйте и снимите бак, вылейте остатки жидкости.
- ▶ Для очистки налейте немного чистящего средства в резервуар. После мытья остатки жидкости должны быть утилизированы надлежащим образом, чтобы избежать загрязнения окружающей среды.
- ▶ Влейте новый чистящий раствор.
- ▶ Наденьте бак с чистящим раствором на пистолет-распылитель.
- ▶ Распылите чистящий раствор в течение нескольких секунд на безопасную поверхность 2-3 раза. Затем снимите бак и нажмите на выключатель.
- ▶ Вытрите и очистите наружную часть бака.
- ▶ Разберите пистолет.
- ▶ Очистите запчасти с помощью щетки и чистящего средства.

**Примечание:** Никогда не используйте острую металлическую иглу или аналогичное приспособление для очистки насадок! Никогда не используйте силиконосодержащий растворитель или смазку для очистки насадок!

- ▶ Установите снятые детали.
- ▶ Если аккумуляторная батарея не используется в течение длительного времени, ее следует хранить отдельно.

## Аккумуляторная батарея

### Уход за аккумуляторным блоком

- ▶ Используйте только зарядное устройство, рекомендованное производителем. Зарядное устройство, подходящее для одного типа аккумуляторных бата-



рей, может создать опасность возгорания при использовании с другой аккумуляторной батареей.

- ▶ **Примечание:** аккумуляторная батарея не полностью заряжена при поставке с завода-изготовителя. Перед первым использованием прибора необходимо полностью зарядить аккумуляторную батарею, чтобы обеспечить ее работоспособность. Во время зарядки аккумуляторный блок должен быть извлечен из пистолета-распылителя. Литий-ионный аккумулятор можно заряжать в любое время, не сокращая при этом срок службы аккумулятора. Если зарядка внезапно прерывается, аккумуляторный блок не повреждается.
- ▶ Во избежание чрезмерной разрядки данный аккумуляторный блок оснащен функцией «Электрическая защита аккумулятора» (ЕСР).
- ▶ Когда аккумуляторный блок полностью разряжен, срабатывает автоматическое выключение пистолета-распылителя.
- ▶ Прекратите нажимать на выключатель после автоматического выключения пистолета. В противном случае аккумуляторная батарея может быть повреждена.
- ▶ Аккумуляторная батарея оснащена температурным монитором NTC. Зарядка возможна только при температуре от 0 до 45 °C.

#### Следуйте инструкциям по утилизации.

Извлеките батарею, как показано ниже. Чтобы извлечь батарею, нажмите на кнопку на корпусе аккумулятора и вытащите батарею из распылительного пистолета. Не применяйте чрезмерную силу во время этой операции.

#### Транспортировка

- ▶ Литий-ионные аккумуляторы, поставляемые вместе с прибором, должны соответствовать правилам перевозки опасных веществ. Пользователи могут транспортировать аккумуляторные батареи без дополнительной защитной упаковки.
- ▶ Однако для передачи третьим лицам (например, при перевозке авиатранспортом или при экспедировании) необходима специальная упаковка и маркировка. Рекомендуем обратиться за помощью к эксперту по доставке опасных грузов.

- ▶ Перед транспортировкой убедитесь в том, что аккумуляторная батарея не повреждена. Храните открытые клеммы и упакуйте аккумуляторную батарею во избежание ее тряски в упаковочной коробке.
- ▶ При необходимости учитывайте соответствующие национальные предписания.

#### Хранение и транспортировка

- ▶ Установленный срок хранения машины составляет 2 года.
- ▶ Во время установленного срока храните машину при температуре окружающей среды от 0°C до плюс 40°C и относительной влажности воздуха не более 80%.
- ▶ Транспортировку машины осуществляйте только в фирменной упаковке.
- ▶ Перед упаковкой снимите рабочий инструмент, сверните и зафиксируйте шнур.

#### Утилизация

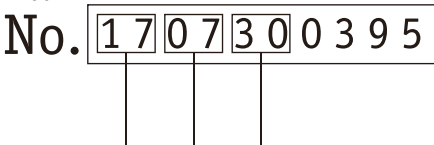
Отслужившие свой срок электроинструменты, принадлежности и упаковку следует сдавать на экологически чистую переработку отходов.



Утилизируйте электроинструмент

отдельно от бытового мусора!

#### РАСШИФРОВКА ДАТЫ ИЗГОТОВЛЕНИЯ ИЗДЕЛИЯ



**год месяц день**

Дата изготовления изделия зашифрована в серийном номере, напечатанном на корпусе инструмента. Первые 2 цифры обозначают год выпуска, следующие 2 цифры – месяц и следующие 2 цифры - день.

#### УСЛОВИЯ ГАРАНТИЙНОГО ОБСЛУЖИВАНИЯ

1. Настоящее гарантийное свидетельство является единственным документом, подтверждающим ваше право на бесплатное гарантийное обслуживание. Без предъявления данного свидетельства претензии не принимаются. В случае утери или порчи гарантийное свидетельство не восстанавливается.

2. Гарантийный срок на электроинструмент, а также зарядные устройства и аккумуляторные батареи серии OnePower составляет 12 месяцев со дня продажи, в течение гарантийного срока сервисная служба бесплатно устраняет производственные дефекты и производит замену деталей, вышедших из строя по вине изготовителя. На период гарантийного ремонта эквивалентный исправный инструмент не предоставляется. Заменяемые детали переходят в собственность служб сервиса.

Компания P.I.T. не несет ответственности за вред, который может быть причинен при работе с электроинструментом.

3. В гарантийный ремонт инструмент принимается в чистом виде, при обязательном наличии надлежащим образом оформленных документов: настоящего гарантийного свидетельства, гарантийного талона, с полностью заполненными полями, штампом торговой организации и подписью покупателя.

4. Гарантийный ремонт не производится в следующих случаях:

- при отсутствии гарантийного свидетельства и гарантийного талона или неправильном их оформлении;
- при совместном выходе из строя якоря и статора электродвигателя, при обугливание или оплавлении первичной обмотки трансформатора сварочного аппарата, зарядного или пуско-зарядного устройства, при оплавлении внутренних деталей, прожиге электронных плат;
- если гарантийное свидетельство или талон не принадлежат данному электроинструменту или не соответствует установленному поставщиком образцу;
- по истечении срока гарантии;
- при попытках самостоятельного вскрытия или ремонта электроинструмента вне гарантийной мастерской;
- внесения конструктивных изменений и смазки инструмента в гарантийный период, о чем свидетельствуют, например, заломы на шлицевых частях крепежа корпусных деталей.
- при использовании электроинструмента в производственных или иных целях, связанных с получением прибыли, а также при возникновении неисправностей связанных с нестабильностью параметров электросети, превышающих нормы, установленные ГОСТ;
- при неправильной эксплуатации (исполь-

зование электроинструмента не по назначению, установки на электроинструмент не предназначенных заводом-изготовителем насадок, дополнительных приспособлений и т.п.;

- при механических повреждениях корпуса, сетевого шнура и при повреждениях, вызванных воздействиями агрессивных сред и высоких и низких температур, попадании инородных предметов в вентиляционные решетки электроинструмента, а также при повреждениях, наступивших в результате неправильного хранения (коррозия металлических частей);

- при естественном износе деталей электроинструмента, в результате длительной эксплуатации (определяется по признакам полной или частичной выработки ресурса, сильного загрязнения, ржавчины снаружи и внутри электроинструмента, отработанной смазки в редукторе);

- использование инструмента не по назначению, указанному в инструкции по эксплуатации.

- при механических повреждениях инструмента;

- при возникновении повреждений в связи с несоблюдением предусмотренных инструкцией условий эксплуатации (см. главу «Указание по технике безопасности» в инструкции).

- повреждение изделия вследствие несоблюдения правил хранения и транспортировки.

Профилактическое обслуживание электроинструмента (чистка, промывка, смазка, замена пыльников, поршневых и уплотнительных колец) в гарантийный период является платной услугой.

Срок службы изделия установлен изготовителем и составляет 2 года со дня изготовления.

О возможных нарушениях, изложенных выше условий гарантийного обслуживания, владельцу сообщается после проведения диагностики в сервисном центре.

Владелец инструмента доверяет проведение диагностики в сервисном центре в свое отсутствие.

Запрещается эксплуатация электроинструмента при проявлении признаков повышенного нагрева, искрения, а также шума в редукторной части. Для выяснения причин неисправности покупателю следует обратиться в гарантийную мастерскую.

Неисправности, вызванные несвоевремен-

ной заменой угольных щеток двигателя, устраняются за счет покупателя.

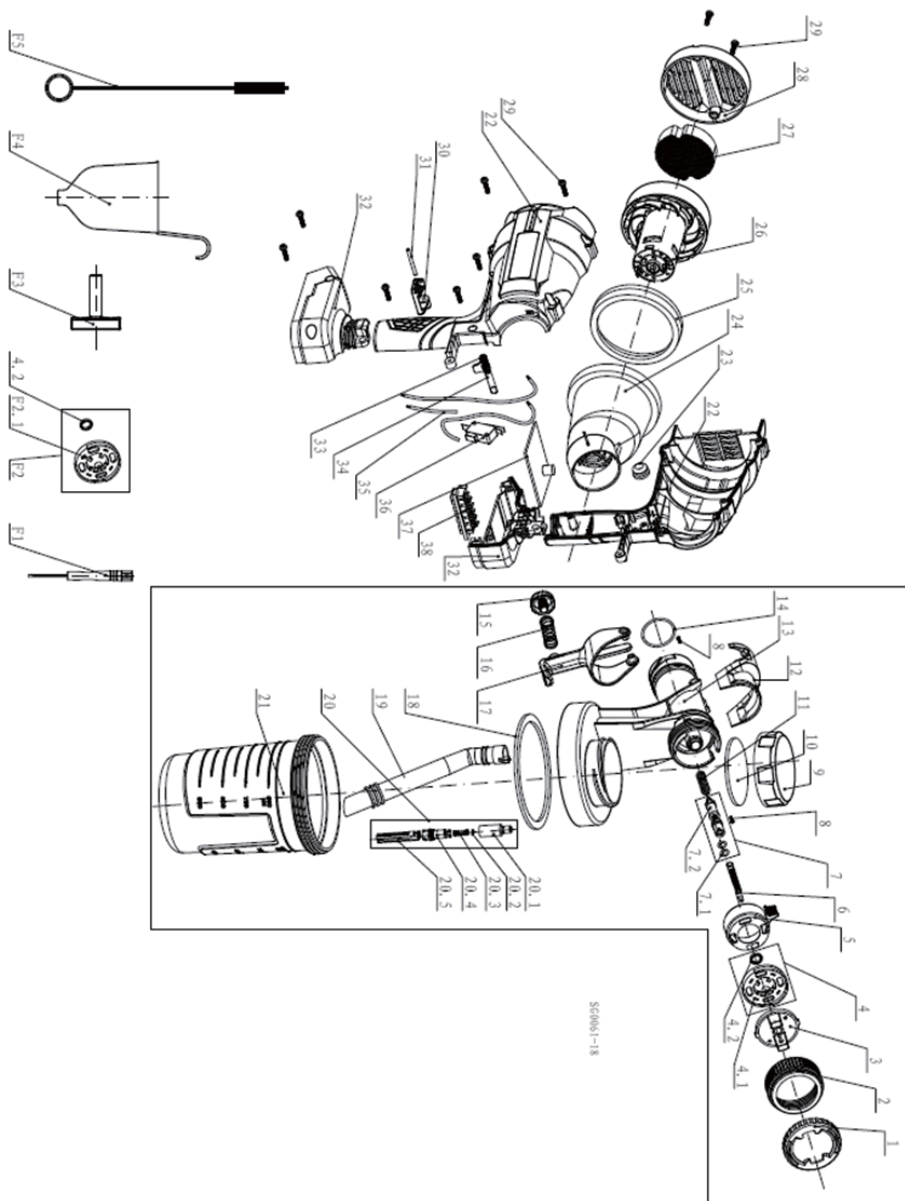
5. Гарантия не распространяется на:

- сменные принадлежности (аксессуары и оснастка), например: аккумуляторы, диски, ножи, сверла, буры, патроны, цепи, звездочки, цанговые зажимы, шины, элементы натяжения и крепления, головки триммеров, подошвы шлифовальных и ленточных машин, фильтры, головки шестигранные и т.п.

- быстроизнашивающиеся детали, например: угольные щетки, приводные ремни, сальники, защитные кожухи, направляющие ролики, направляющие, резиновые уплотнения, подшипники, зубчатые ремни и колеса, стволы, ленты тормоза, храповики и тросы стартеров, поршневые кольца и т.п.

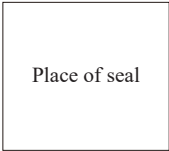
Замена их в течение гарантийного срока является платной услугой.

- шнуры питания, в случае повреждения изоляции, шнуры питания подлежат обязательной замене без согласия владельца (услуга платная), в т.ч. корпуса инструмента.



# P.I.T. WARRANTY CERTIFICATE

Product Name \_\_\_\_\_  
Product Serial Number   
Battery Serial Number   
Charger Serial Number   
Sale Date \_\_\_\_\_  
Trade Organization Name \_\_\_\_\_



Dear customer!

Thank you for purchasing the P.I.T tool, and we hope that you will be satisfied with your choice. In the process of manufacturing the P.I.T tools pass multilevel quality control, if nevertheless your product will need maintenance, please contact the authorized P.I.T service centers.

Attention!

When buying, ask a seller to check the completeness and operability of the tool, to fill out the Warranty Certificate, the Warranty Card (the boxes shall be filled out by a seller) and to affix the seal of the trade organization in the Guarantee Certificate and the Warranty Card.

Warranty

By this Warranty Certificate, P.I.T. company guarantees the absence of defects of the production nature.

In the event any of the above defects are detected during the warranty period, the specialized P.I.T. service centers shall repair the product and replace the defective spare parts free of charge.

The warranty period for P.I.T. electric machines is 12 months from the date of sale.

"The warranty maintenance terms acknowledged and accepted. The operability and completeness of the product are checked in my presence. No claims on quality and appearance."

Buyer's Signature \_\_\_\_\_ Surname (legibly) \_\_\_\_\_

Phone \_\_\_\_\_

**ГАРАНТИЙНОЕ СВИДЕТЕЛЬСТВО НА ИНСТРУМЕНТ P.I.T.**

Наименование изделия \_\_\_\_\_

Серийный номер изделия Серийный номер аккумулятора Серийный номер зарядного устройства 

Дата продажи « \_\_\_\_ » \_\_\_\_\_

Наименование торговой организации \_\_\_\_\_

Уважаемый покупатель!



Благодарим Вас за покупку инструмента P.I.T. и надеемся, что Вы останетесь довольны своим выбором.

При необходимости обслуживания Вашего изделия обращайтесь в авторизованные сервисные центры P.I.T. Все сервисные центры представлены на сайте [www.pittools.ru](http://www.pittools.ru)

**Внимание!**

При покупке требуйте у продавца проверки работоспособности инструмента и его комплектности, а также заполнения гарантийного свидетельства, гарантийного талона (графы «Заполняются продавцом») и простановки печати торговой организации в гарантийном свидетельстве и гарантийных талонах.

**Гарантия**

На основании данного гарантийного свидетельства компания P.I.T. гарантирует отсутствие дефектов производственного характера.

Если в течение гарантийного срока в Вашем изделии обнаружатся указанные дефекты, то специализированные сервисные центры P.I.T. бесплатно отремонтируют изделие и заменят дефектные запасные части.

Гарантийный срок на электроинструменты P.I.T. составляет 12 месяцев со дня продажи.

«С условиями гарантийного обслуживания ознакомлен(а). Работоспособность и комплектность изделия проверены в моем присутствии. Претензий к качеству и внешнему виду не имею».


Подпись покупателя \_\_\_\_\_ Фамилия (разборчиво) \_\_\_\_\_


Телефон \_\_\_\_\_


# P.I.T. WARRANTY CARD

Name _____ Product Serial Number _____ Battery Serial Number _____ Charger Serial Number _____ Sale Date _____ 20____ Date of Receipt from Repair _____ 20____	<b>P.I.T.</b> <sup>®</sup>	<b>№ 1</b>
	Name _____	
	Product Serial Number _____	
	Battery Serial Number _____	
	Charger Serial Number _____	
	Sale Date _____ 20____	Place of Seal
	(Filled out by a Seller)	
	<input checked="" type="checkbox"/> WARRANTY REPAIR CARD	
	Date of Acceptance for Repair _____ 20____	
	Application for Repair _____	
Customer _____		
Phone (Address) _____		
Cause of Application _____		
Date of Receipt from Repair _____ 20____		
The Tool is checked in my presence _____		
(The Order shall be performed in a Service Center) (Signature)		
Name _____ Product Serial Number _____ Battery Serial Number _____ Charger Serial Number _____ Sale Date _____ 20____ Date of Receipt from Repair _____ 20____	<b>P.I.T.</b> <sup>®</sup>	<b>№ 2</b>
	Name _____	
	Product Serial Number _____	
	Battery Serial Number _____	
	Charger Serial Number _____	
	Sale Date _____ 20____	Place of Seal
	(Filled out by a Seller)	
	<input checked="" type="checkbox"/> WARRANTY REPAIR CARD	
	Date of Acceptance for Repair _____ 20____	
	Application for Repair _____	
Customer _____		
Phone (Address) _____		
Cause of Application _____		
Date of Receipt from Repair _____ 20____		
The Tool is checked in my presence _____		
(The Order shall be performed in a Service Center) (Signature)		
Name _____ Product Serial Number _____ Battery Serial Number _____ Charger Serial Number _____ Sale Date _____ 20____ Date of Receipt from Repair _____ 20____	<b>P.I.T.</b> <sup>®</sup>	<b>№ 3</b>
	Name _____	
	Product Serial Number _____	
	Battery Serial Number _____	
	Charger Serial Number _____	
	Sale Date _____ 20____	Place of Seal
	(Filled out by a Seller)	
	<input checked="" type="checkbox"/> WARRANTY REPAIR CARD	
	Date of Acceptance for Repair _____ 20____	
	Application for Repair _____	
Customer _____		
Phone (Address) _____		
Cause of Application _____		
Date of Receipt from Repair _____ 20____		
The Tool is checked in my presence _____		
(The Order shall be performed in a Service Center) (Signature)		

# ГАРАНТИЙНЫЙ ТАЛОН P.I.T.

 <span style="float: right;"><b>Талон № 1</b></span>		
Наименование _____ Серийный номер изделия _____ Серийный номер аккумулятора _____ Серийный номер зарядного устройства _____ Дата продажи « _____ » _____ 20__ (Заполняется продавцом) <b>КАРТА ГАРАНТИЙНОГО РЕМОНА</b> Дата приема ремонт _____ 20__ Заявка на ремонт _____ Заказчик _____ Телефон (адрес) _____ Причина обращения _____ Дата получения от ремонта _____ 20__ Инструмент проверен в моем присутствии _____ (Заполняется в Сервисном центре) (Подпись) _____	МП	Наименование _____ Серийный номер изделия _____ Серийный номер аккумулятора _____ Серийный номер зарядного устройства _____ Дата продажи _____ 20__ Дата получения от ремонта _____ 20__

 <span style="float: right;"><b>Талон № 2</b></span>		
Наименование _____ Серийный номер изделия _____ Серийный номер аккумулятора _____ Серийный номер зарядного устройства _____ Дата продажи « _____ » _____ 20__ (Заполняется продавцом) <b>КАРТА ГАРАНТИЙНОГО РЕМОНА</b> Дата приема ремонт _____ 20__ Заявка на ремонт _____ Заказчик _____ Телефон (адрес) _____ Причина обращения _____ Дата получения от ремонта _____ 20__ Инструмент проверен в моем присутствии _____ (Заполняется в Сервисном центре) (Подпись) _____	МП	Наименование _____ Серийный номер изделия _____ Серийный номер аккумулятора _____ Серийный номер зарядного устройства _____ Дата продажи _____ 20__ Дата получения от ремонта _____ 20__

 <span style="float: right;"><b>Талон № 3</b></span>		
Наименование _____ Серийный номер изделия _____ Серийный номер аккумулятора _____ Серийный номер зарядного устройства _____ Дата продажи « _____ » _____ 20__ (Заполняется продавцом) <b>КАРТА ГАРАНТИЙНОГО РЕМОНА</b> Дата приема ремонт _____ 20__ Заявка на ремонт _____ Заказчик _____ Телефон (адрес) _____ Причина обращения _____ Дата получения от ремонта _____ 20__ Инструмент проверен в моем присутствии _____ (Заполняется в Сервисном центре) (Подпись) _____	МП	Наименование _____ Серийный номер изделия _____ Серийный номер аккумулятора _____ Серийный номер зарядного устройства _____ Дата продажи _____ 20__ Дата получения от ремонта _____ 20__





**Поставщик / производитель:** Xinjiang Longbo Industrial Co., Ltd./Синзянь Лонгбо Индастриал Ко., Лтд.

**Адрес производства:** Rm. 602, 6th Floor, No. 531, Weixing Road, Economic And Technological Development Zone, Urumqi, Xinjiang, China / Оф.602, 6 этаж, №531, Вейшинг Рoad, Экономик Энд Технолджикал Девелопмент Зон, Урумчи, Синзянь, Китай

**Импортер/ организация, уполномоченная принимать претензии:** ООО «Турбо-Тулс»

**Юридический адрес:** 614058, Пермский край, г. Пермь, ул. Фоминская, 36  
info@pittools.ru

**Сделано в КНР / Made in China**

